



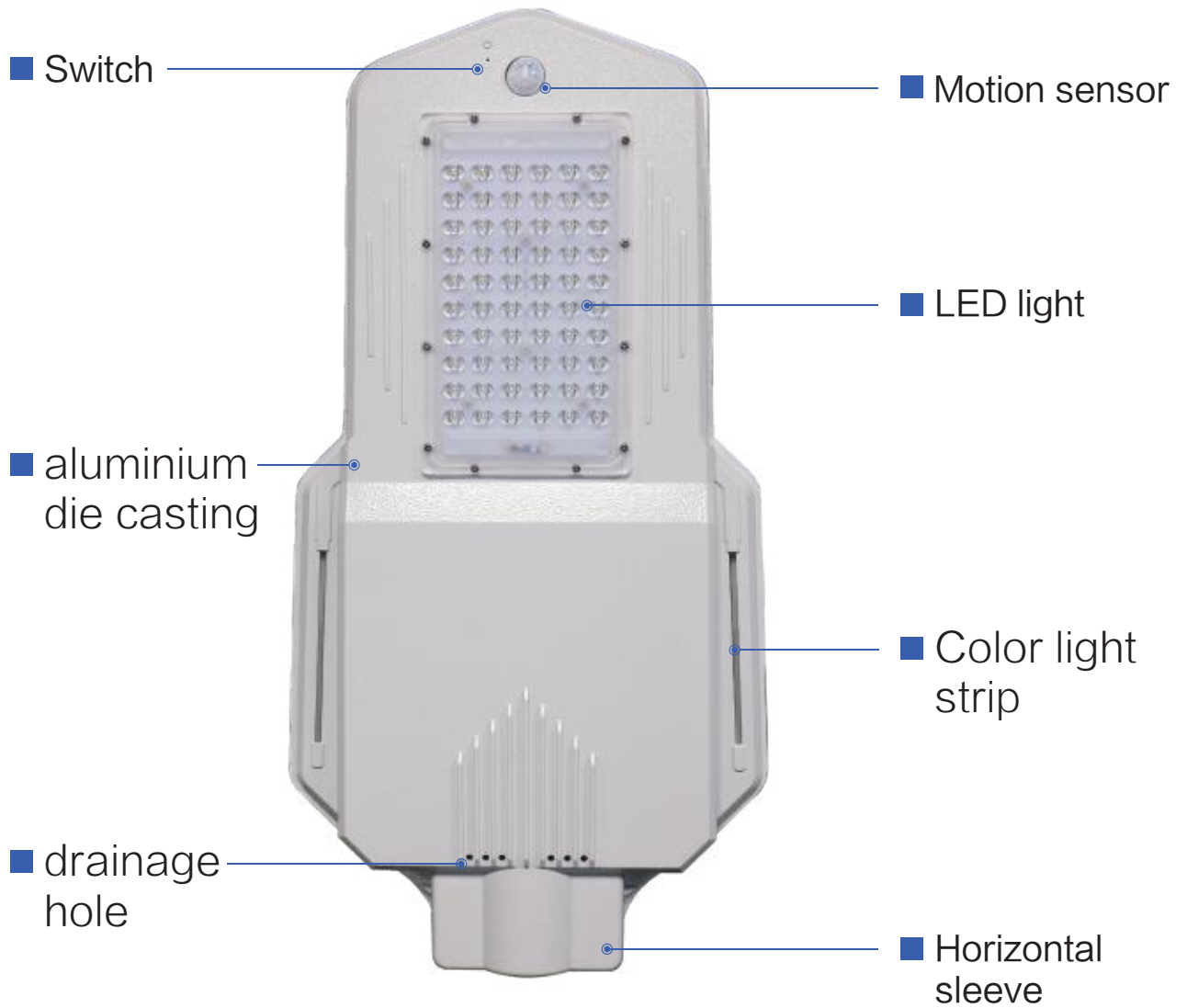
Shenzhen Century sunshine Lighting Limited



# Solar street light Specifications

[www.centurysunshine.com](http://www.centurysunshine.com)

## Product Details



Product Feature



1

**High quality strong support**

Using high quality hardware,environmental protection paint coating,anti - corrosion and anti - cracking



2

**Intelligent light control + induction radar**

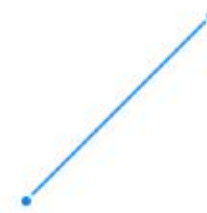
Intelligent light control+induction Radar system flexible work,increase endurance



3

**Color light strip**

There are two decorative lights on the two sides of the rocket light, which will light up at night. The colors can be green, blue and red.



Product Advantages



Multiple control modes for easy operation



Long life span of LED chip

**IP66**

IP66 waterproof



Solar panel, high conversion rate



Intelligent turn-on lighting mode

## Sensing effect



## PRODUCT ADVANTAGES



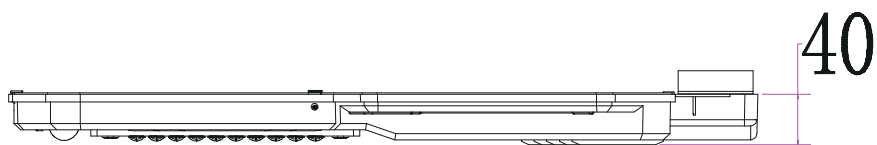
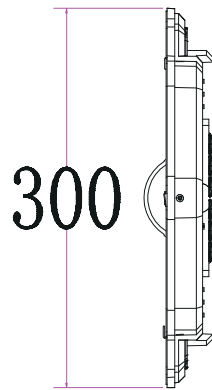
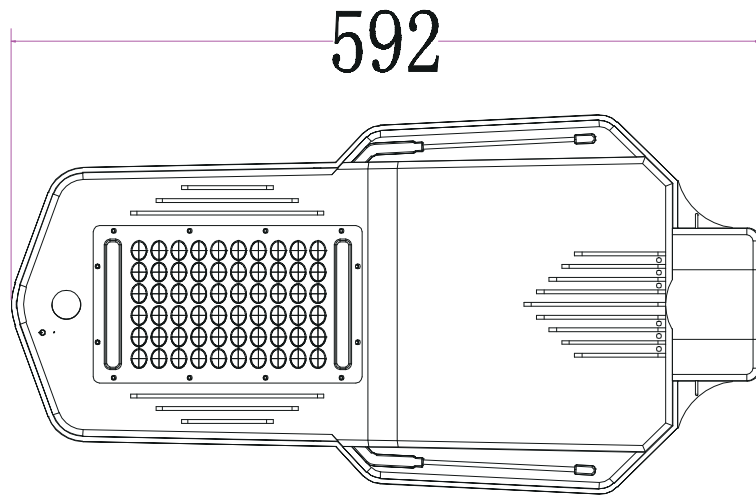
## Sensing distance 12 meters

- **TIME CONTROL MODE:**  
press SET button + T button, wait 3 seconds, then it enter time control mode
- **SENSOR CONTROL MODE:**  
press SET button + I button, wait 3 seconds, then it enter sensor control mode
- **MIXED CONTROL MODE:**  
press SET button + TI button, wait 3 seconds, then it enter mixed control mode

## PRODUCT ADVANTAGES

- Easily set the working mode of solar street light;
- 12 meters infrared sensing range of remote control, suitable for most installation height
- Multiple working modes to deal with various complex environments
- According to the demand, the running time can be reasonably controlled, and it can last for a long time in the rainy days.

Product Size:



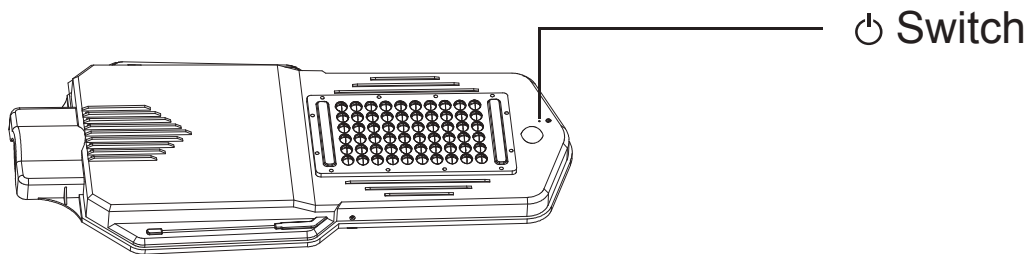
**Installation Procedure:**

1. Select the best day-lighting location to set up the pole . Arm of the lamp post diameter is 50-60mm. thickness more than 2.0mm iron or stainless steel pole.

2. Open the package and check if components are completed .

Item	Quantity
M5 round head screws,M5 flat pad,M5 shrapnel	4
M5 Allen key	1
Bend	1
Instruction manual	1
Certificate of conformity	1
Card reader	1
M8 hexagon socket cup head screw	6

3. Before installation, use the needle to turn on the light .



4. Use the compression piece, M5 hexagon socket screw, spring piece and flat pad to fix the lamp body on the pick arm. (Arm with 50 to 60mm diameter need to separatly buy)

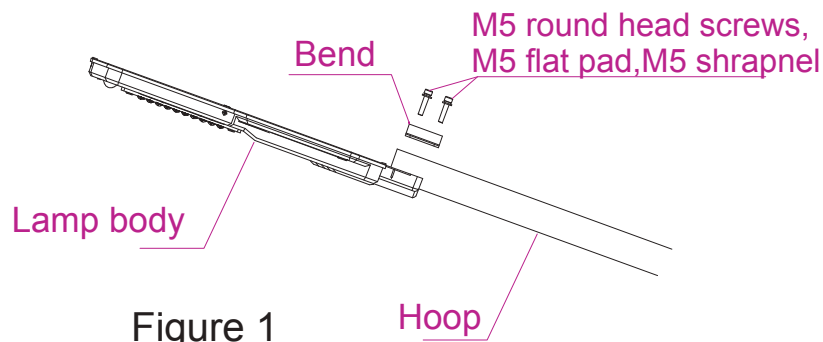


Figure 1

5. Use hoop, M8 hexagon socket screw, shrapnel to mount the custom solar lights on the pole, as picture 2 shown, put the sleeve base of the solar panel into the light pole, tighten the screws, as picture 3 shown.

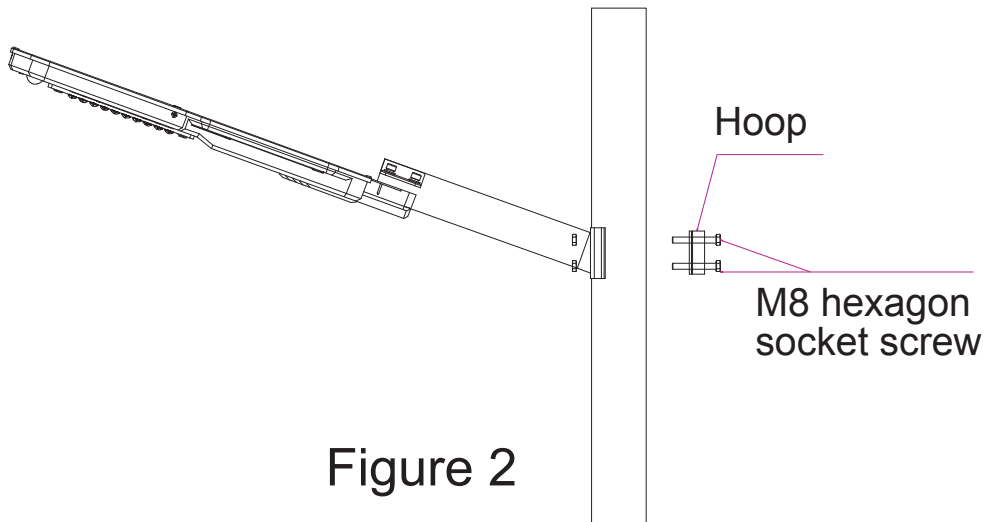


Figure 2

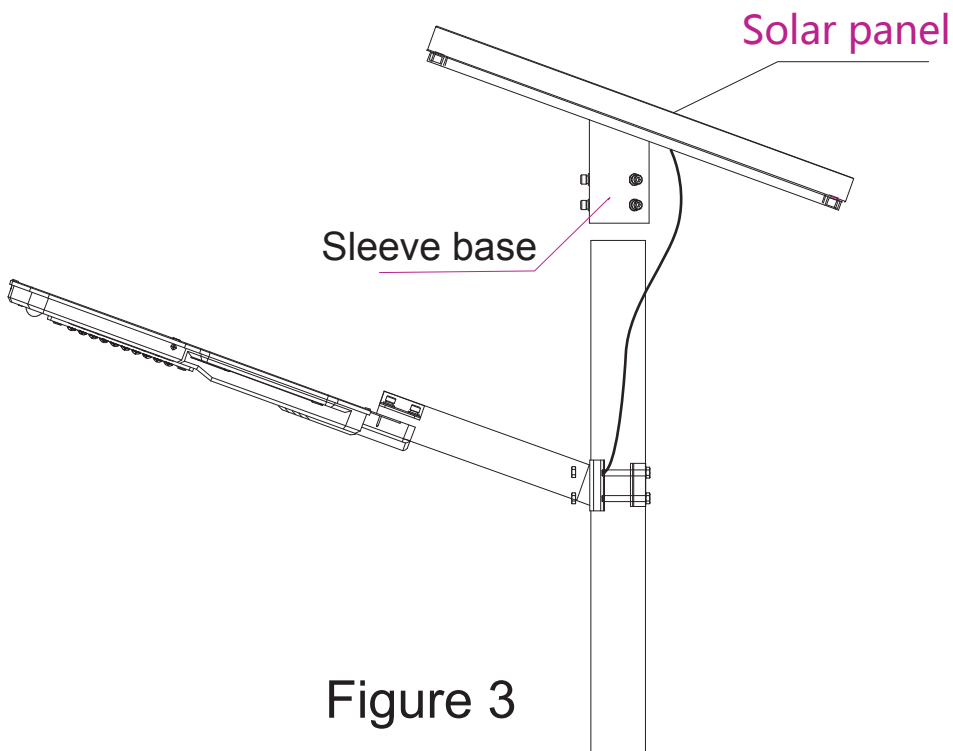
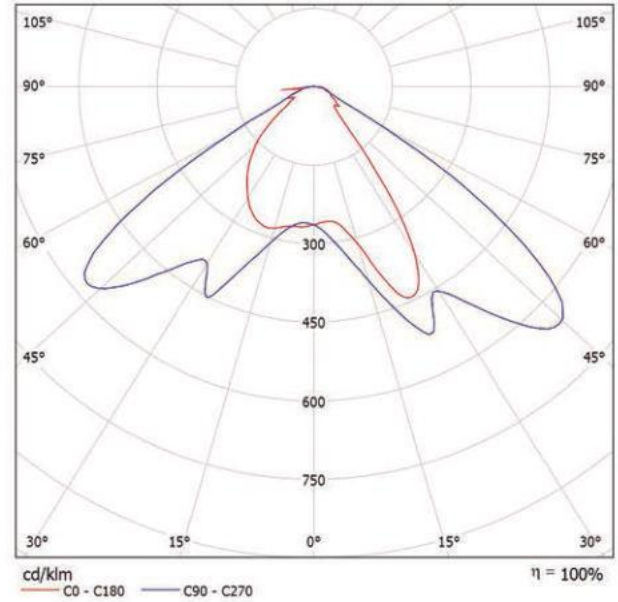


Figure 3



Spectra:

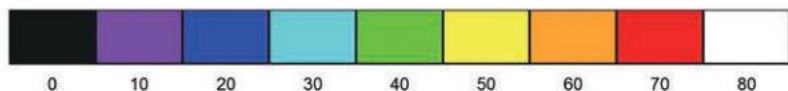
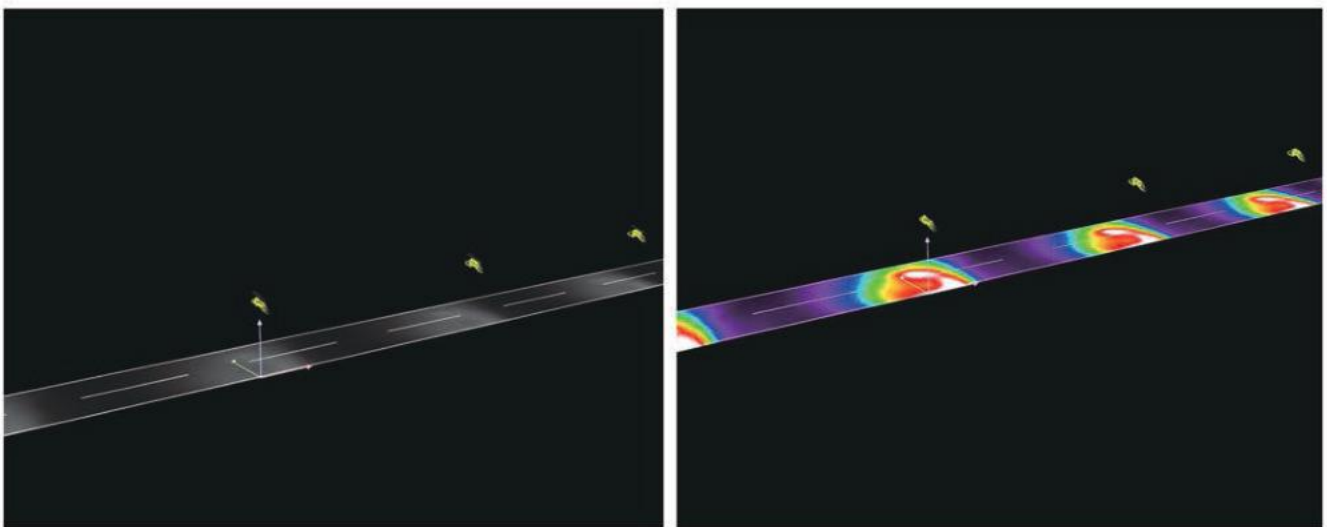
See our luminaire catalog for an image of the luminaire.



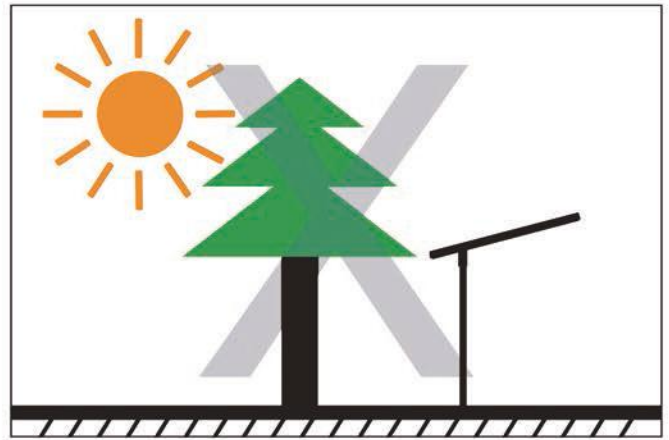
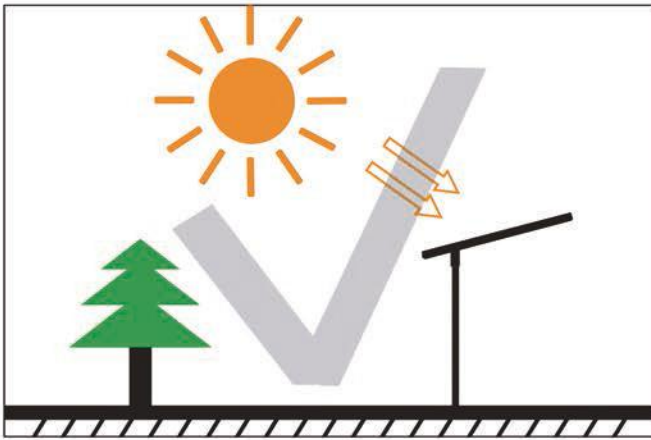
Luminaire classification according to CIE: 100  
 CIE flux code: 56 90 98 100 100

Due to missing symmetry properties, no UGR table can be displayed for this luminaire.

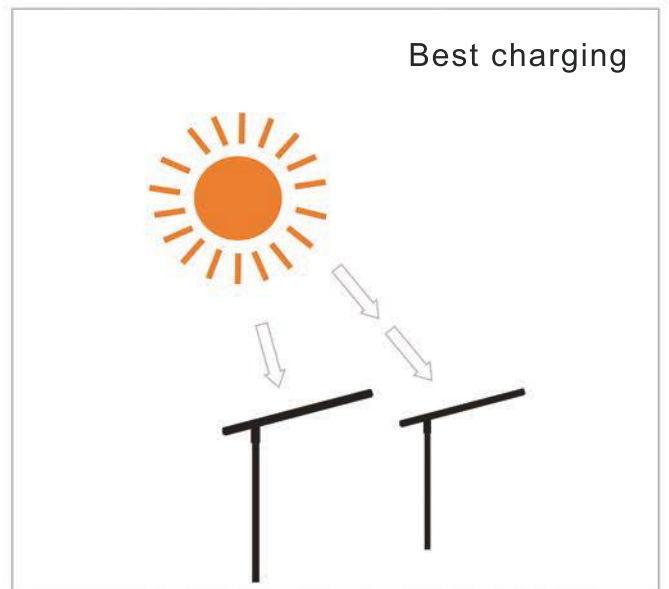
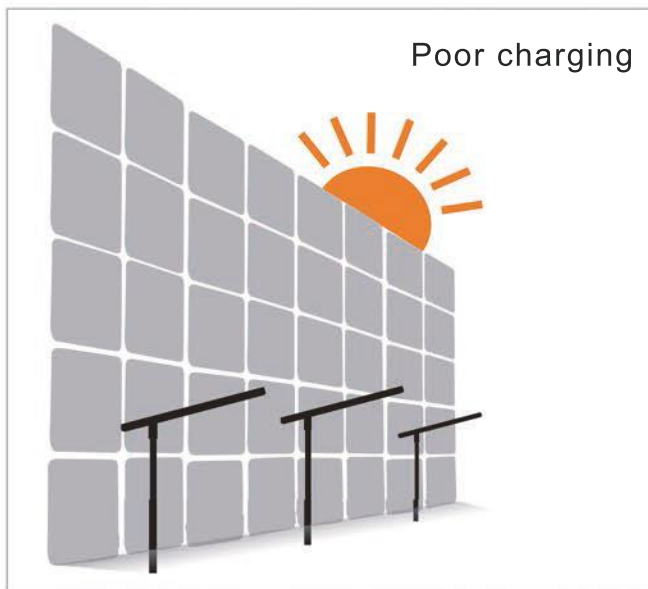
Road lighting simulation



Note 1



Note 2



- Please choose a place that is sunny and fully exposed, then install integrated solar street lights.
- And note that the solar panels must be unobstructed and must be exposed to the sun.

## Case shows:



Road



Mountains



Rural



Street



Square



Park



School

